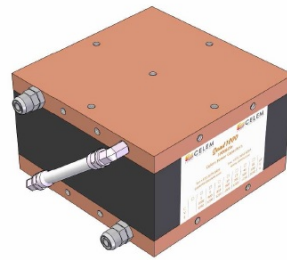
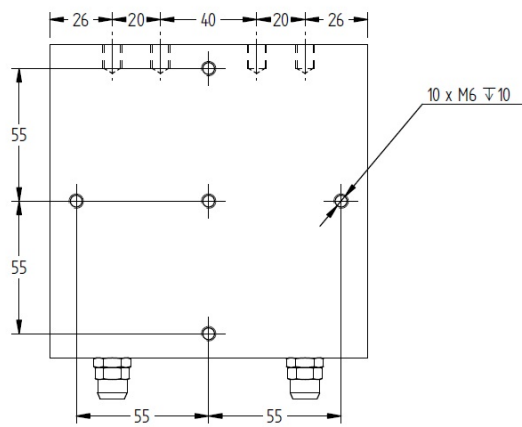
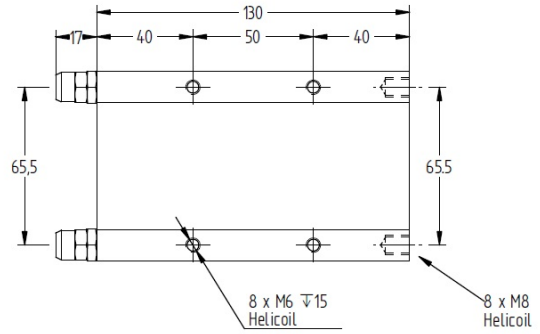
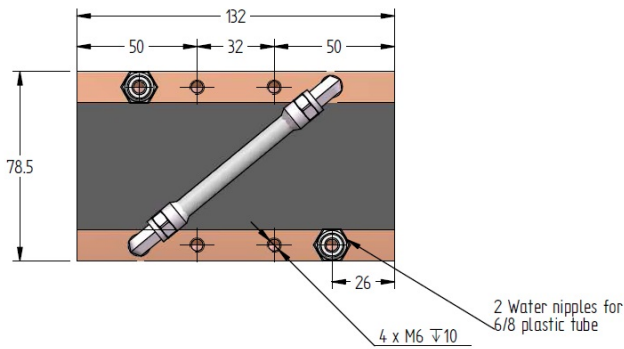


Quad 1000

Water-cooled capacitor

Technology Patented Worldwide



The Quad 1000 (patent pending) is a new water-cooled capacitor for low-medium frequency. It can provide up to 1000kVAr in a wide frequency range of 4-70kHz.

The Quad 1000 comes in 7 basic capacitance values, but can be customized to other desired values as well.

Specifications

Type		Quad 1000						
Dimensions (L x W x H)	mm	130 x 132 x 78.5						
Weight	kg	4.5						
Capacitance ($\pm 10\%$)	μF	5 μF	9 μF	14 μF	19 μF	27 μF	46 μF	85 μF
Sinusoidal Voltage	V _{rms}	1000	900	850	800	700	600	500
Peak_Voltage	V	1410	1270	1200	1130	990	850	710
Max. Current	A _{rms}	1050	1200	1250	1300	1500	1750	2050
Max. Power	kVA _r	1000						
Freq Range @ Half Power	kHz	16-70	11-51	7.9-35	6.5-28	6-26	4.8-21	3.7-15.7

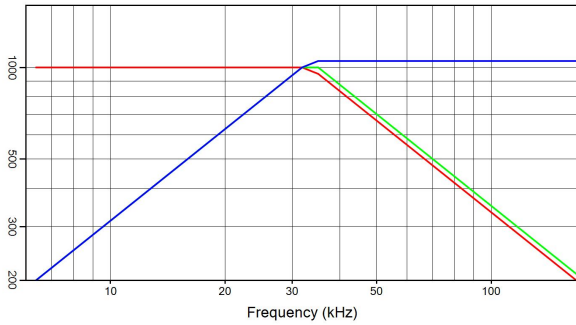
Celem Power Capacitors

Produced: 11/09/2016

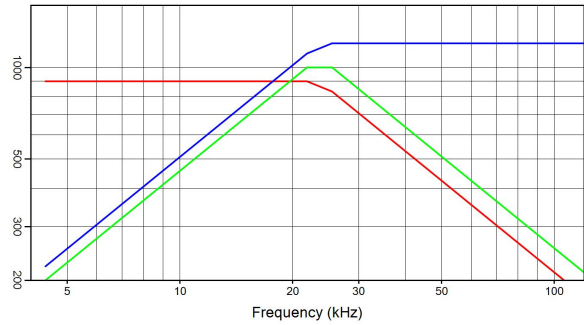
Quad 1000

Water-cooled capacitor

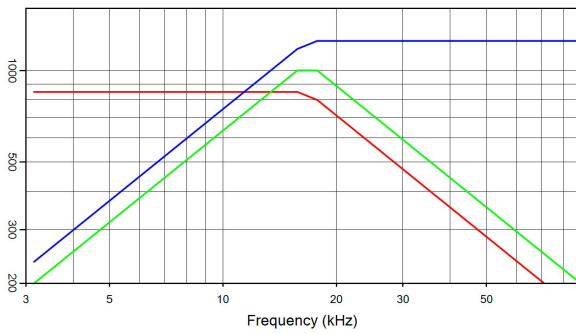
Technology Patented Worldwide



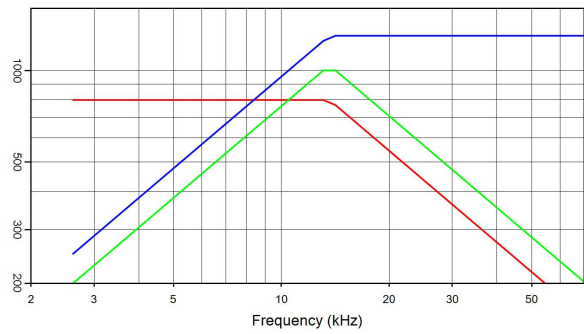
Quad 1000 5 µF 1000 V_{rms} 1050 A_{rms} 1000 kVA_r
 I(A) — Q(kVA_r) — V_{rms}



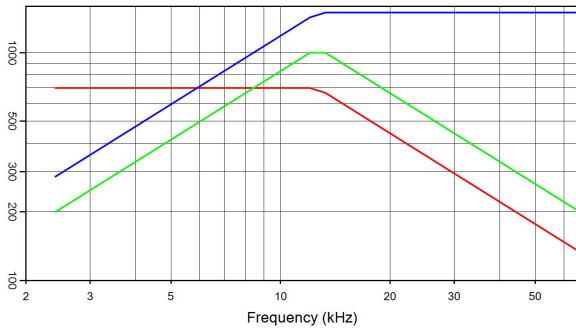
Quad 1000 9 µF 900 V_{rms} 1200 A_{rms} 1000 kVA_r
 I(A) — Q(kVA_r) — V_{rms}



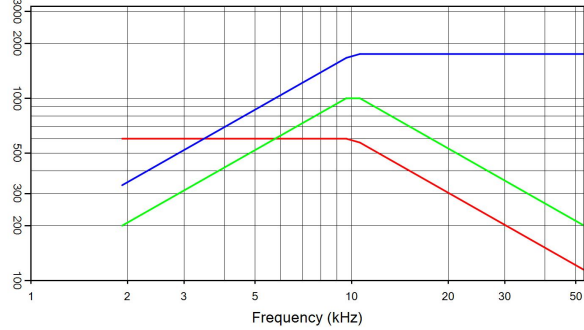
Quad 1000 14 µF 850 V_{rms} 1250 A_{rms} 1000 kVA_r
 I(A) — Q(kVA_r) — V_{rms}



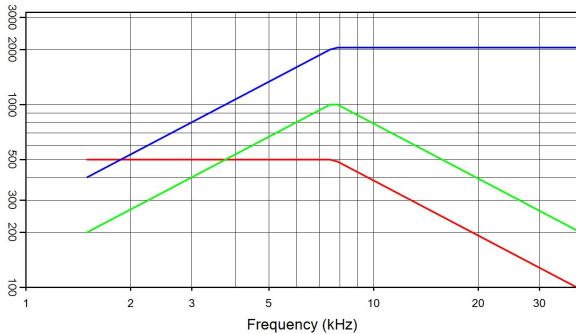
Quad 1000 19 µF 800 V_{rms} 1300 A_{rms} 1000 kVA_r
 I(A) — Q(kVA_r) — V_{rms}



Quad 1000 27 µF 700 V_{rms} 1500 A_{rms} 1000 kVA_r
 I(A) — Q(kVA_r) — V_{rms}



Quad 1000 46 µF 600 V_{rms} 1750 A_{rms} 1000 kVA_r
 I(A) — Q(kVA_r) — V_{rms}



Quad 1000 85 µF 500 V_{rms} 2050 A_{rms} 1000 kVA_r
 I(A) — Q(kVA_r) — V_{rms}

Celem Power Capacitors

Produced: 11/09/2016